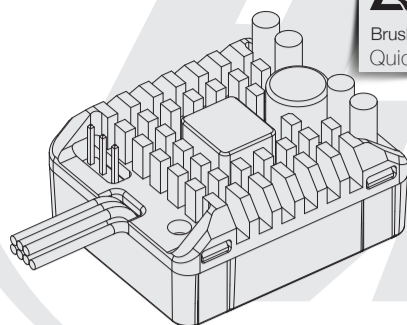


USER MANUAL

QUICRUN

Brushed Electronic Speed Controller
QuicRun WP Crawler Brushed



01 Introduction



Congratulations and thank you for your trust in Hobbywing product. By purchasing the QuicRun WP-Crawler-Brushed, you have chosen a high performance sensorred brushed electronic speed controller! This speed controller is equipped with high-tech features to enhance your experience with Hobbywing brushed power systems. Improper usage and unauthorized modification to our product is extremely dangerous and may damage the product and related devices. Please take your time and read the following instructions carefully before you start using your speed control. We have the right to modify our product design, appearance, features and usage requirements without notification.

02 Warnings

- To avoid short circuits, ensure that all wires and connections must be well insulated before connecting the ESC to related devices.
- Ensure all devices are well connected to prevent poor connections and avoid damages to your electronic devices.
- Read through the manuals of all power devices and chassis and ensure the power configuration is rational before using this unit.
- Please use a soldering iron with the power of at least 60W to solder all input/output wires and connectors.
- Do not hold the vehicle in the air and rev it up to full throttle, as rubber tires can "expand" to extreme size or even crack to cause serious injury.
- Stop immediate usage once the casing of the ESC exceeds 90 C/194 F as this may cause damages to both the ESC and motor. Hobbywing recommends setting the "ESC Thermal Protection" to 105°C/221 F (this refers to the internal temperature of the ESC).
- Users must always disconnect the batteries after use as the current on the ESC is consuming continuously if it is connected to the batteries (even if the ESC is turned off). The battery will completely be discharged and may result in damage to the battery or ESC when it is connected for a long period of time. This WILL NOT be covered under warranty.

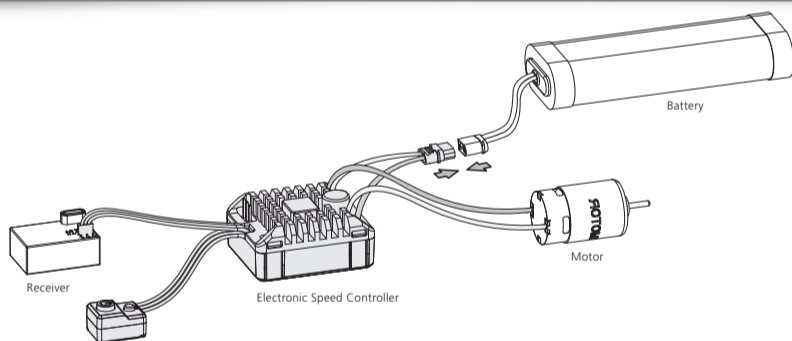
03 Features

- Fully waterproof design for all conditions. (Note: please clean and dry it after use for avoiding rusty connectors)
- HOBBYWING patented copper heat-conductive plates attached to the MOSFET board allows the internal heat to be quickly transferred to the CNC-machined aluminum reticular heat sink for great heat dissipation.
- High reliable electronic switch design prevents mechanical switch failure due to dirt, water, dust and etc.
- Built-in switch-mode BEC with switchable voltage of 6V/7.4V and cont./peak current of 4A/6A for usage with high torque and high voltage servos.
- Tunable drag brake and drag brake rate for different vehicles, tracks and control feel. Adjustable PWM frequency combined with advanced freewheeling (VDEO) technology guarantees great throttle linearity and driving feel.
- 9 levels of acceleration/pun from soft to aggressive for different vehicles, tires and tracks.
- Proportional brake with 9 levels of initial brake force, maximum brake force and drag brake force.
- Multiple protections: low-voltage cutoff protection, thermal protection, and throttle signal loss protection.
- Separate programming port to easily connect the LED program card to the ESC.
- Single-button ESC programming and factory reset.
- ESC programming via Hobbywing LED program card.

04 Specifications

| Model | QUICRUN WP Crawler Brushed | |
|----------------------|---|-----------------------|
| Cont. / Peak Current | 80A / 400A | |
| Motor Type | Brushed Motor (540 / 550 / 775 size motors) | |
| Applications | 1/10th Rock Crawler | |
| Motor Limit | Brushed Motor Limit with 2S LiPo / 6S NiMH: ≥ 10T or RPM<30000@7.4V (540/550 size motors) | (540/550 size motors) |
| | Brushed Motor Limit with 3S LiPo / 9S NiMH: ≥ 16T or RPM<20000@7.4V (540/550 size motors) | (540/550 size motors) |
| LiPo / NiMH Cells | 2-3S LiPo / 5-9S NiMH | |
| BEC Output | 6V / 7.4V@ 3A (Switch-mode) | |
| Connectors | Input End: XT60; Output End: No Connectors | |
| Size / Weight | 36.2 x 31.6 x 17.0 mm / 58.5g | |
| Programming Port | Separate Port | |

05 Begin to Use a New Brushed ESC



This is an extremely powerful brushed motor system. For your safety and the safety of those around you, we strongly recommend removing the pinion gear attached to the motor before performing calibration and programming functions with this system. It is also advisable to keep the wheels in the air when you turn on the ESC.

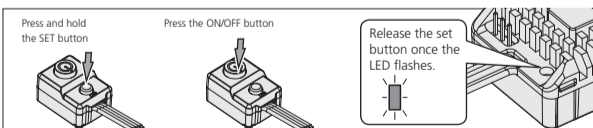
- Motor Wiring**
There is no polarity on the M+/M- two ESC-to-motor wires, hence, do not worry on how you connect them initially. You may find it necessary to swap two wires if the motor runs in reverse.
- Receiver Wiring**
Plug the throttle control cable on the ESC into the throttle (TH) channel on receiver. The throttle control cable will output the voltage of 6V/7.4V to the receiver and steering servo. Hence, no separate battery can be connected to the receiver. Otherwise, your ESC may be damaged.
- Battery Wiring**
Proper polarity is essential. Please ensure positive (+) connects to positive (+), and negative (-) connects to negative (-) when plugging in the battery! When reverse polarity is applied to your ESC from the battery, it WILL damage your ESC. This WILL NOT be covered under warranty!

06 ESC Setup

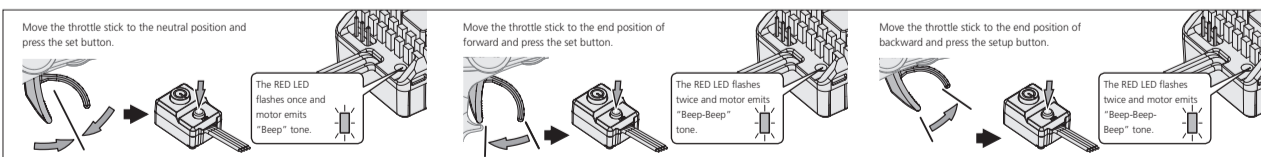
1 Radio Calibration



Begin using your ESC by calibrating with your transmitter. We strongly recommend Hobbywing users to use the "Fail Safe" function on the radio system and set (FS) to "Output OFF" or "Neutral Position". Example of calibrating Neutral range and Endpoint.



- Turn on the transmitter, ensure all parameters (D/R, Curve, ATU) on the throttle channel are at default (100%). For transmitter without LCD, please turn the knob to the maximum, and the throttle "TRIM" to 0. Please also turn the corresponding knob to the neutral position. For Futaba™ transmitter, the direction of throttle channel shall be set to "REV", while other radio systems shall be set to "NOR". Please ensure the "ABS/braking function" of your transmitter must be DISABLED.
- Start with transmitter on and the ESC turned off but connected to a battery. Holding the SET button and press the ON/OFF button to turn on the ESC, the RED LED on the ESC starts to flash (Note: the motor beeps at the same time), and then release the SET button immediately (The ESC will enter the programming mode if the SET button is not released in 3 seconds, please restart from step 1.). Note: Beeps from the motor may be low sometimes, and you can check the LED status instead.



- Set the neutral point, the full throttle endpoint and the full brake endpoint.
 - Leave transmitter at the neutral position, press the SET button, the RED LED flashes 1 time and the motor beeps 1 time to accept the neutral position.
 - Pull the throttle trigger to the full throttle position, press the SET button, the RED LED blinks 2 times and the motor beeps 2 times to accept the full throttle endpoint.
 - Push the throttle trigger to the full brake position, press the SET button, the RED LED blinks 3 times and the motor beeps 3 times to accept the full brake endpoint.
- The motor can be started 3 seconds after the ESC/Radio calibration is complete.

2 Power ON/OFF & Warning Tones

- Power ON/OFF:**
(Start with the ESC turned off), press the ON/OFF button to turn on the ESC.
(Start with the ESC turned on) press and hold the ON/OFF button to turn off the ESC.
- Warning Tones:**
With the ESC is turned on in the normal way (that is turn it on without pressing and holding the SET button): if you set the "Battery Type" to "LiPo", the motor will beep N (number) beeps to indicate the number of LiPo cells you have plugged in (i.e. 2 beeps indicates a 2S LiPo, 3 beeps indicates a 3S LiPo) and then a long beep to inform you that your ESC is ready to work. If you set the "Battery Type" to "NiMH", the motor will only beep a beep to indicate the ESC is in NiMH mode and then another beep to inform you that your ESC is ready to function.

3 Programmable Items

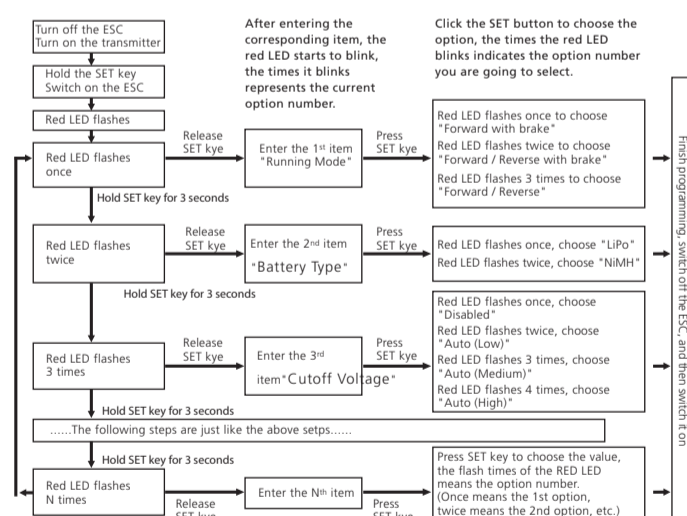
Those "black background and white text" options are the factory default settings.

| Programmable Item | Option 1 | Option 2 | Option 3 | Option 4 | Option 5 | Option 6 | Option 7 | Option 8 | Option 9 |
|------------------------|----------|-------------|---------------|-------------|----------|----------|----------|----------|----------|
| 1. Running Mode | Fwd/Brk | Fwd/Rev/Brk | Fwd/Rev | | | | | | |
| 2. Battery Type | LiPo | NiMH | | | | | | | |
| 3. Cutoff Voltage | Disabled | Auto (Low) | Auto (Medium) | Auto (High) | | | | | |
| 4. Initial Start Force | 0% | 2% | 4% | 6% | 8% | 10% | 12% | 14% | 16% |
| 5. Max. Forward Force | 25% | 50% | 75% | 100% | | | | | |
| 6. Max. Reverse Force | 25% | 50% | 75% | 100% | | | | | |
| 7. Max. Brake Force | 0% | 12.5% | 25% | 37.5% | 50% | 62.5% | 75% | 87.5% | 100% |
| 8. Initial Brake Force | 0% | 6.25% | 12.5% | 18.75% | 25% | 31.25% | 37.5% | 43.75% | 50% |
| 9. Drag Brake | 0% | 5% | 10% | 50% | 60% | 70% | 80% | 90% | 100% |
| 10. Drag Brake Rate | Level 1 | Level 2 | Level 3 | Level 4 | Level 5 | Level 6 | Level 7 | Level 8 | Level 9 |
| 11. Neutral Range | 0.02ms | 0.03ms | 0.04ms | 0.05ms | 0.06ms | 0.07ms | 0.08ms | 0.10ms | 0.12ms |
| 12. Start Mode/Punch | Level 1 | Level 2 | Level 3 | Level 4 | Level 5 | Level 6 | Level 7 | Level 8 | Level 9 |
| 13. PWM Frequency | 1K | 2K | 4K | 8K | 16K | | | | |
| 14. BEC Voltage | 6V | 7.4V | | | | | | | |
| 15. Freewheeling | Enabled | Disabled | | | | | | | |

- Running Mode**
Option 1: Forward with Brake. It's a racing mode. It has only forward and brake functions.
Option 2: Forward/ Reverse with Brake. This option is known to be the "training" mode with "Forward/ Reverse with Brake" functions. Hobbywing has adopted the "DOUBLE-CLICK" method, that is your vehicle only brakes on the 1st time you push the throttle trigger forward (brake) (1st push). The motor stops when you quickly release the throttle trigger and then re-push the trigger quickly (2nd push), only then the vehicle will reverse. The reverse function will not work if your car does not come to a complete stop. The vehicle only reverses after the motor stops. This method is for preventing vehicle from being accidentally reversed.
Option 3: Forward and Reverse. This mode is often used by special vehicles (rock crawler). It adopts the "SINGLE-CLICK" method. The vehicle will brake immediately when you push the throttle trigger forward (brake).
- Battery Type**
Option 1: LiPo. Select this option when you use a LiPo battery and set the cutoff voltage accordingly.
Option 2: NiMH. Select this option when you use a NiMH battery and set the cutoff voltage accordingly.
- Cutoff Voltage**
Sets the voltage at which the ESC lowers or removes power to the motor in order to either keep the battery at a safe minimum voltage (for LiPo batteries). The ESC monitors the battery voltage all the time; it will immediately cut off the output when the voltage goes below the cutoff threshold. The RED LED will flash a short, single flash that repeats (☆-, ☆-, ☆-) to indicate the low-voltage cutoff protection is activated.
Option 1: Disabled. The ESC does not cut the power off due to low voltage. Please pay attention to the power change of your vehicle. In general, the battery voltage gets pretty low when your vehicle is severely losing power, then you should stop using that pack.
Option 2: Auto (Low). Low cutoff voltage, difficult to get the LVC protection activated, is applicable to batteries with poor discharge capability. The corresponding cutoff voltage is 4.5V for a NiMH pack.
Option 3: Auto (Medium). Medium cutoff voltage, prone to getting the LVC Protection activated, is applicable to batteries with ordinary discharge capability. The corresponding cutoff voltage is 5.0V for a NiMH pack.
Option 3: Auto (High). High cutoff voltage, very prone to getting the LVC Protection activated, is applicable to packs with great discharge capability. The corresponding cutoff voltage is 5.5V for a NiMH pack.
- Initial Start Force**
It's the initial force when you pull the throttle trigger from neutral position toward non-throttle throttle position. A suitable start force can effectively prevent vehicle from sliding when you apply a low throttle amount.
- Max. Forward Force**
It's the force when throttle trigger is at the full throttle position. It's adjustable among 25%, 50%, 75% and 100% (by default). You can lower down the value for better driving feel/control when you drive a crawler (simulation model) over difficult terrains (and don't have any requirement against the maximum speed).
- Max. Reverse Force**
Different reverse amount will bring different reversing speed. For the safety of your vehicle, we recommend using a low amount.
- Max. Brake Force**
The ESC provides proportional braking function; the braking effect is decided by the position of the throttle trigger. It sets what percentage of available braking power when full brake is applied. Large amount will shorten the braking time but it may damage your pinion and spur. Please select the most suitable brake amount as per your car condition and your preference.
- Initial Brake Force**
It is also known as "minimum brake force". It is the force when pushing throttle trigger from neutral zone to the initial brake position. To get a smoother braking effect, the default is equal to the drag brake.
- Drag Brake**
Drag brake is the braking power produced when releasing the throttle trigger from full speed to neutral zone.
Attention! Drag brake will consume much power, so apply it cautiously.
- Drag Brake Rate**
It's the rate at which the drag brake increases from zero to the pre-set value when the throttle trigger enters the neutral range. A suitable rate can make the vehicle stop stably. You can choose the drag brake rate from level 1 (very soft) to level 9 (very aggressive) as per the track, tires' grip, and etc.
- Neutral Range**
As not all transmitters have the same stability at "neutral position", please adjust this parameter as per your preference. You can adjust to a bigger value when this happens.
- Start Mode / Punch**
You can choose the punch from level 1 (very soft) to level 5 (very aggressive) as per the track, tires, grip, your preference and etc. This feature is very useful for preventing tires from slipping during the starting-up process. In addition, "level 4" and "level 5" have strict requirement on battery's discharge capability. It may affect the starting-up if the battery discharges poorly and cannot provide large current in a short time. The car stutters or suddenly loses power in the starting-up process indicating the battery's discharge capability is not good, and then you need to reduce the punch or increase the FDR (Final Drive Ratio).
- PWM Drive Frequency**
The acceleration will be more aggressive at the initial stage when the drive frequency is low; a higher drive frequency is smoother but this will create more heat to the ESC.
- BEC Voltage**
Option 1: 6.0V. It's applicable to ordinary servos. Do not use this option with high voltage servos; otherwise your servos may not function normally due to insufficient voltage.
Option 2: 7.4V. It's applicable to high voltage servos. Do not use this option with ordinary servos; otherwise your servos may be burnt due to high voltage.
- Freewheeling**
For regular vehicles, we recommend disabling this function. With it disabled, your vehicle can have quick acceleration. For a crawler (simulation model), we suggest enabling it. With it enabled, your crawler can have better linearity during a low-speed running and also less heat.

4 ESC Programming

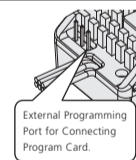
1. Program your ESC with the SET Button



- For easy recognition, the motor beeps at the same time when the Red LED flashes.
- When "N" (the number) is equal to or bigger than 5, we use a long flash to represent "5". For example, the Red LED flashes a long flash (and the motor beeps a long beep at the same time) indicating you are in the 5th programmable item; if the Red LED flashes a long flash and a short flash (and the motor beeps a long beep and a short beep at the same time) indicating you are in the 6th programmable item; a long flash and two short flashes (a long beep and two short beeps at the same time) indicating you're in the 7th programmable item and so on.

2. Program your ESC with a LED program card

A standard LED program card is also included in the product box. Its friendly interface makes the ESC programming easy and quick. Before the programming, you need to connect your ESC to the program card via a White/Red/Black PVC cable with two JR male connectors (one end of the cable to the separate programming port on the ESC and the other end to the port marked with "-J4/S" on the program card), and then turn on the ESC, all programmable items will show up a few seconds later. You can select the item by choosing via "ITEM" & "VALUE" buttons on the program card. Press the "OK" button to save all new settings to your ESC.



5 Factory Reset

- Restore the default values with the SET button**
Press and hold the SET button for over 3 seconds anytime when the throttle is at the neutral position (except during the ESC calibration and programming) can factory reset your ESC. The Red LED flashes a long flash (the motor beeps a long beep at the same time) and then a short, single flash that repeats indicating that you have successfully restored all the default values within your ESC. Once you power the ESC off, and then back on, your settings will be back in the default mode.
- Restore the default values with a LED program card.**
After connecting the LED program card to the ESC, press the "RESET" button and the "OK" button to factory reset your ESC.

07 Explanation for LED Status

- The Red LED dies out when the throttle trigger is in throttle neutral zone.
- The Red LED flashes when your vehicle runs forward and it turns solid Red when you pull the throttle trigger to the full throttle endpoint.
- The Red LED flashes when your vehicle brakes and it turns solid Red when you push the throttle trigger to the full brake endpoint and set the "maximum brake force" to 100%.
- The Red LED flashes when your vehicle runs backward and it runs solid Red when you push the throttle trigger to the full brake endpoint and set the "maximum reverse force" to 100%.

08 Troubleshooting

| Trouble(s) | Possible Causes | Solution(s) |
|--|--|--|
| The ESC was unable to start the status LED; the motor after it was powered on | 1. No power was supplied to the ESC. 2. The ESC switch was damaged | 1. Check if all ESC & battery joints or connections have been well soldered or firmly connected. 2. Replace the broken switch. |
| The ESC was unable to start the motor (but the Red status LED flashed) after it was powered on | The throttle control cable was reversely plugged in or in the wrong channel on the receiver. | Please plug the throttle control cable in the TH channel (usually CH2) on receiver or recalibrate the throttle range. |
| The vehicle moved forward or backward slowly when the throttle trigger was at the neutral position | The throttle range was not calibrated properly. | Please recalibrate the throttle range or fine-tune the neutral position on the transmitter. |
| The vehicle ran backward when you pulled the throttle trigger towards you | 1. The ESC-to-motor wiring order was incorrect. 2. Incorrectly set the direction of the throttle channel. | 1. Swap motor wires. 2. Change the direction of the throttle channel from "NOR" to "REV" or "REV" to "NOR". |
| The motor suddenly stopped or significantly reduced its output in operation | 1. The receiver was influenced by some foreign interference. 2. The LVC protection was activated. 3. The ESC thermal protection was activated. | 1. Check all devices and try to find out all possible causes, and check the transmitter's battery voltage. 2. The Red LED keeps flashing indicating the LVC protection is activated, so please replace your battery pack. 3. The Red LED keeps flashing indicating the ESC thermal protection is activated, please let your ESC cool down before using it again. |
| The vehicle could run forward but could not reverse | The throttle neutral position on your transmitter was actually in the braking zone. | Recalibrate the throttle neutral position. No LED on the ESC will come on when the throttle trigger is at the neutral position. |